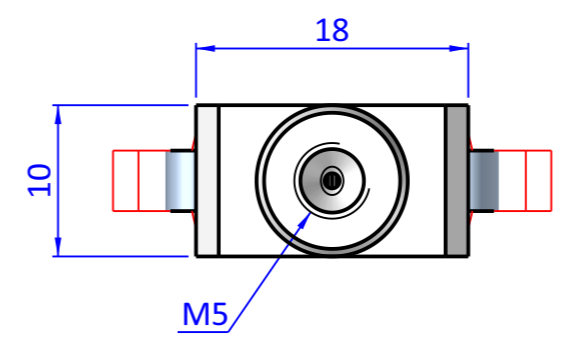
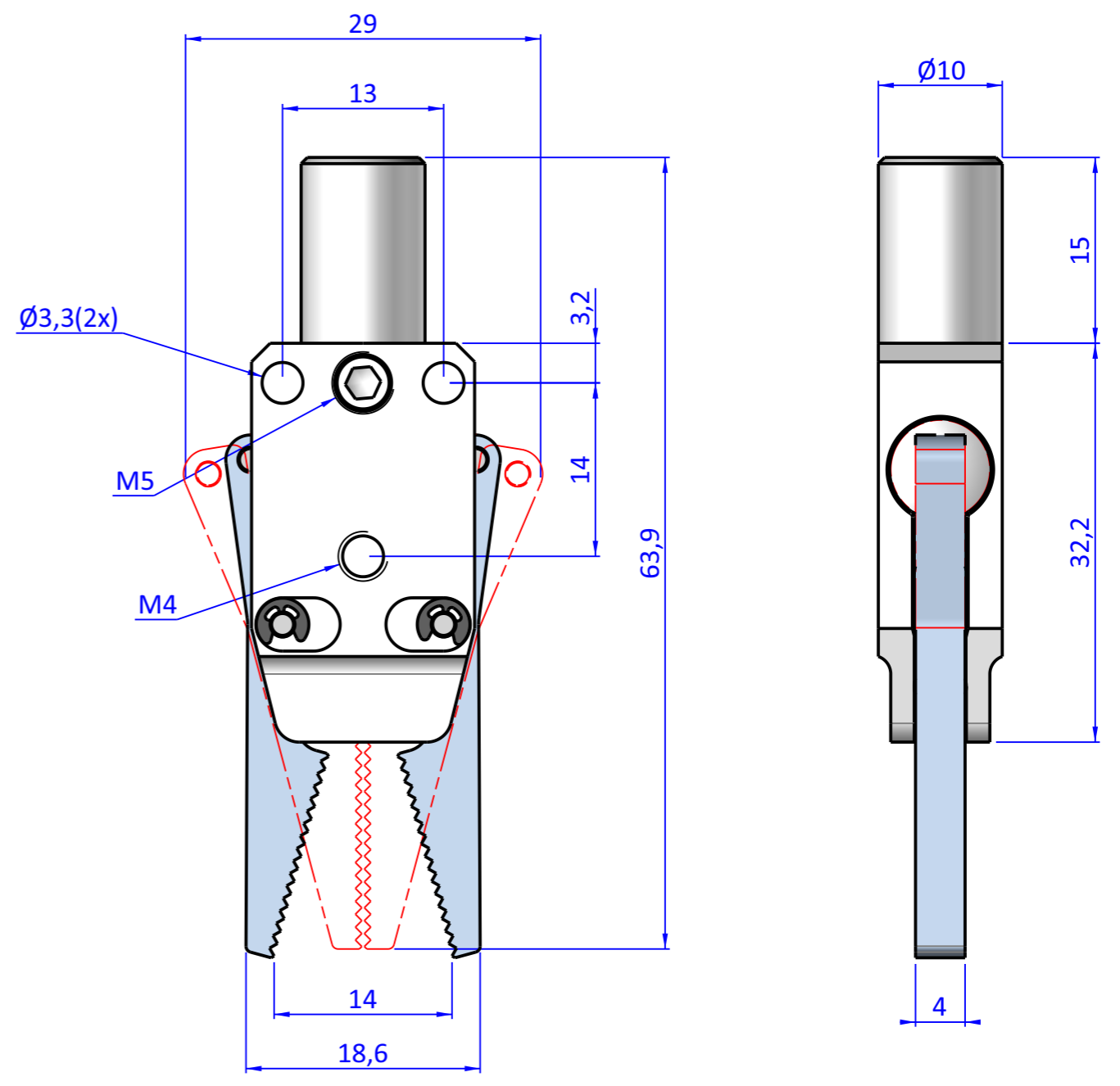
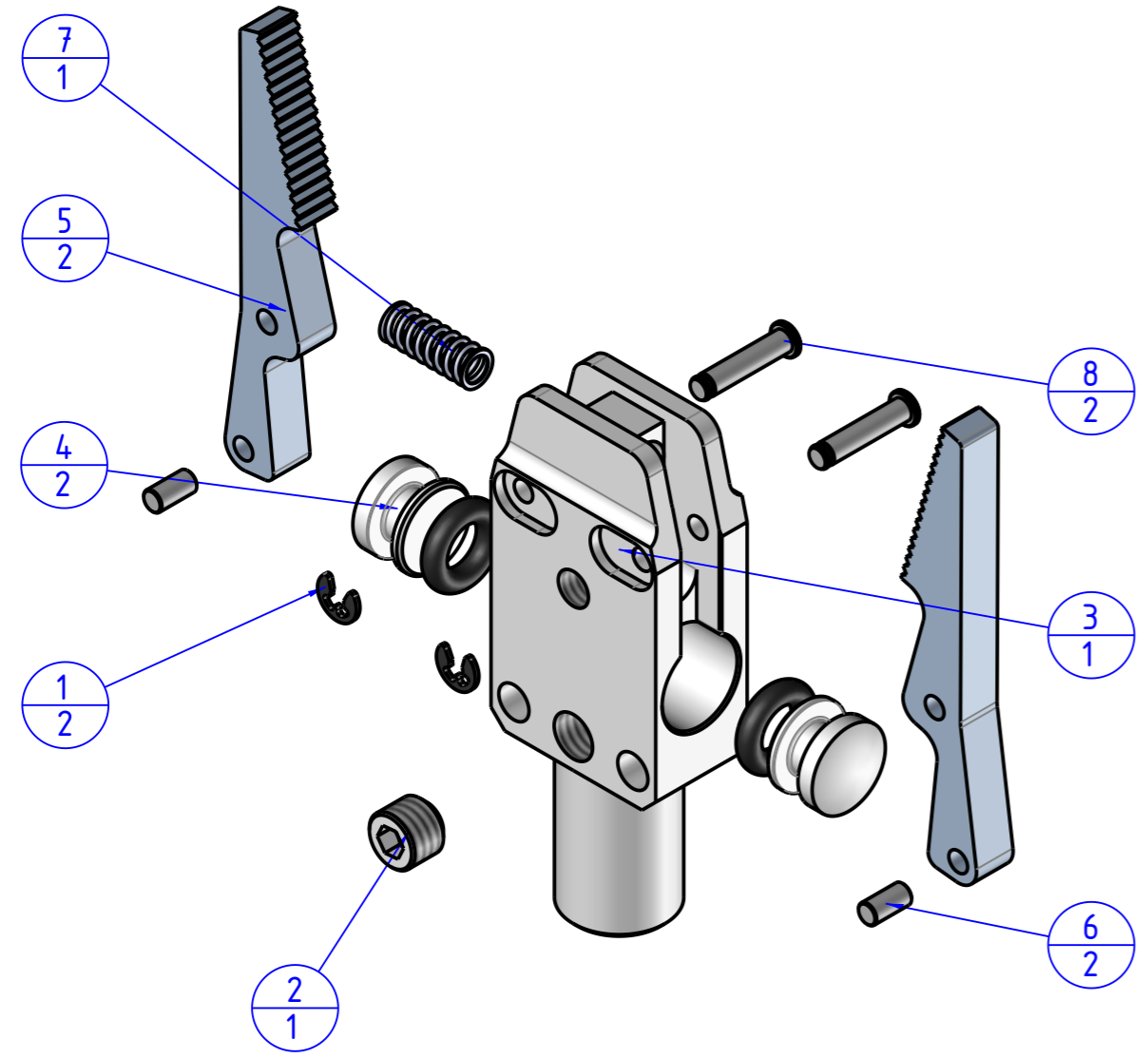



THE PROPERTY OF THE DRAWING IS ESTABLISHED BY LAW. IT IS FORBIDDEN TO PRODUCE OR SHOW IT TO THIRD PART. WITHOUT A WRITTEN AGREEMENT.

Item	Name	Q.ty
1	A.ELA.RA1.5	2
2	GR.5X4	1
3	GZA.10.08.1	1
4	GZA.10.08.2.OR	2
5	GZA.10.08.3.I	2
6	GZA.10.08.9	2
7	M.MP13X3.5D.5	1
8	SP.2x10SS	2



Format A3
UNI 936-76

 FPS FPSERVICES AUTOMATION		DESIGNED FROM FPS Automation		REVIEW A	
		DATE 08/04/2026	WEIGHT 0,028kg		
GENERAL TOLERANCE UNI - ISO 2768 CLASSE f	DESCRIPTION CA.GZA.10.08.1		CODE CA.GZA.10.08.1		